

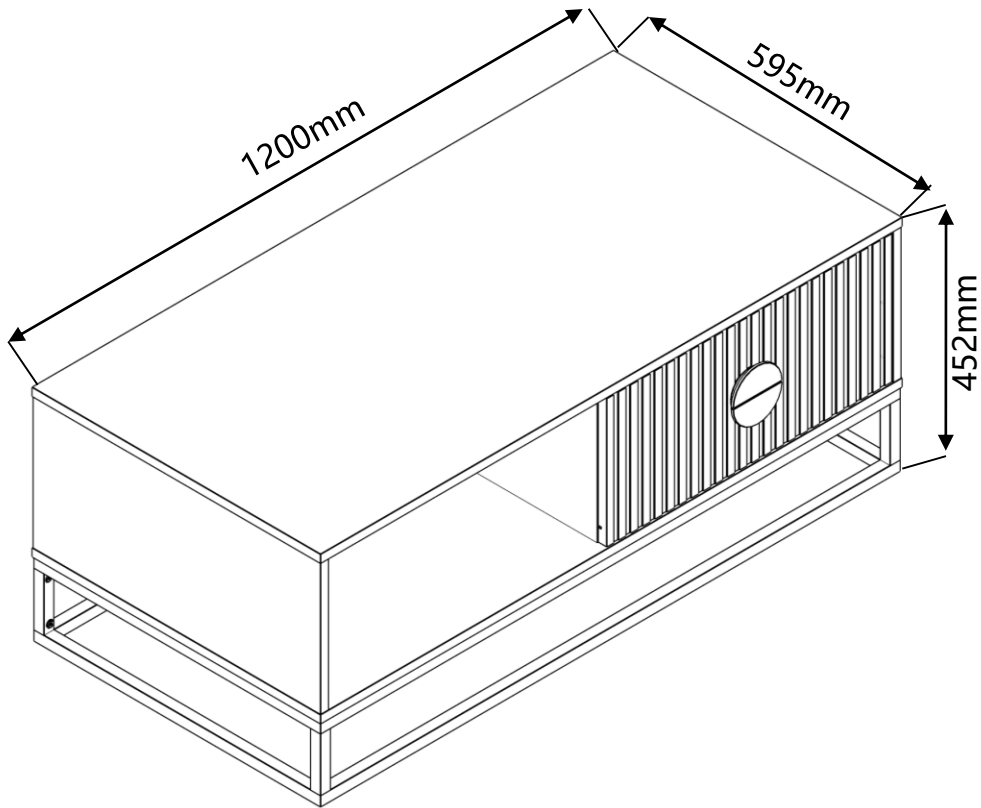


ASSEMBLY INSTRUCTION

Valdis Coffee Table

ITEM CODE **73828**

Imported by Amart Furniture Pty Ltd, Qld, Brisbane Australia.  
For any assistance with assembly or for missing parts please  
phone Amart Furniture , Customer Service Free call 1800 351  
084

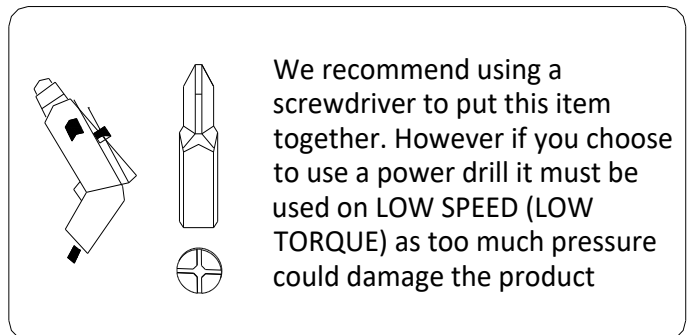
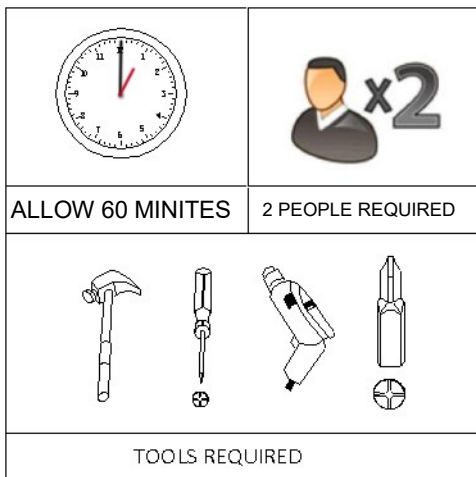


Imported by Amart Furniture Pty Ltd, ,Brisbane, Qld, Australia.  
For any assistance with assembly or for missing parts please phone  
Amart Furniture, Customer Service Free call 1800 351 084

## PRE-ASSEMBLY PREPARATION

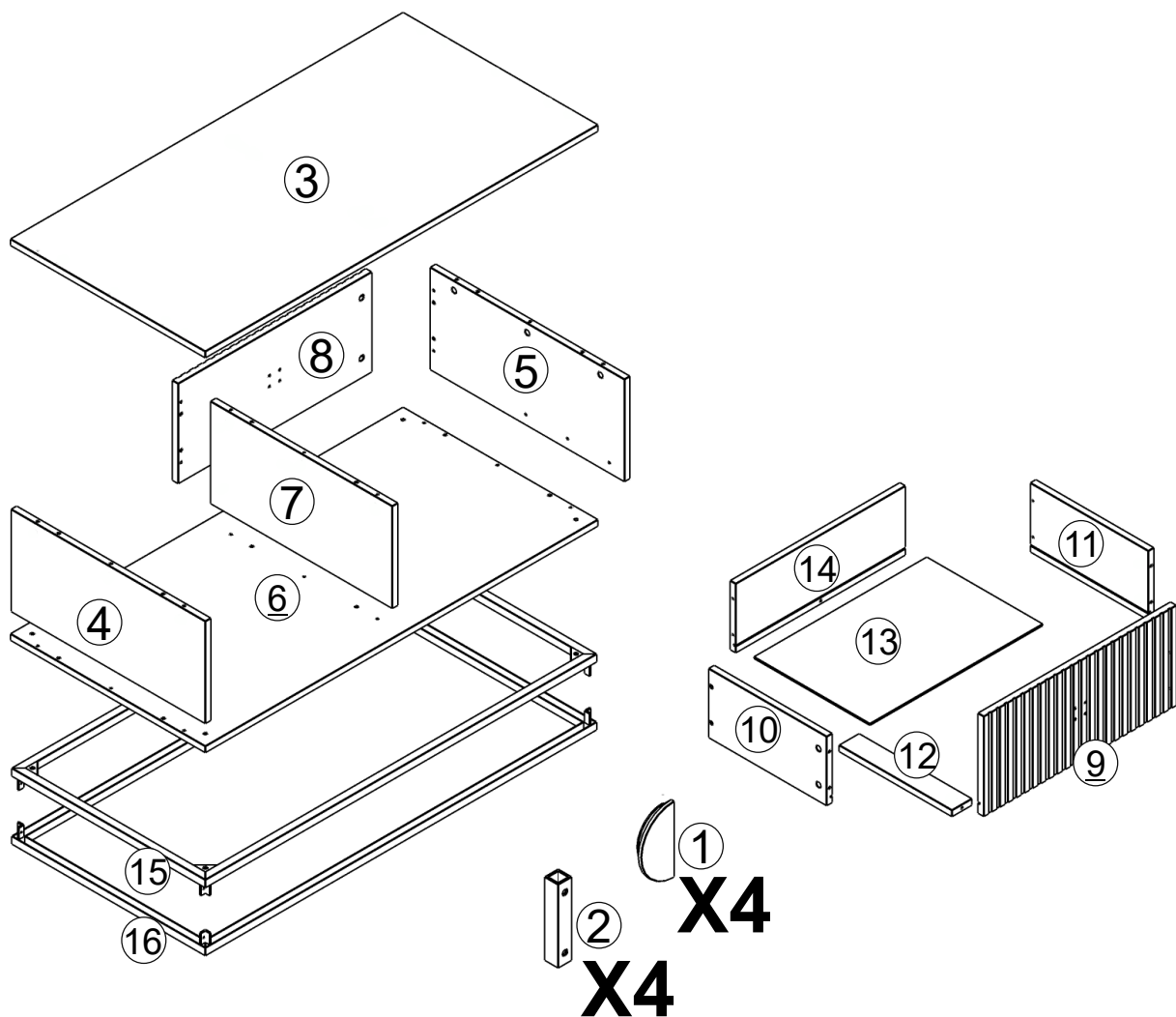
### Before you start:

1. Choose a clean, level, spacious assembly area. Avoid hard surfaces that may damage the product
2. Take care when lifting. Product should be assembled as near as possible to the point of use
3. Ensure that you have all required contents for complete assembly
4. Always read the assembly instructions carefully before beginning assembly.
5. Keep all hardware parts and packaging out of reach of small children.
6. Do not over tighten the screws and bolts as this may damage the threads



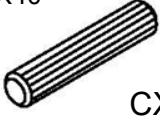
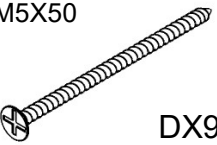
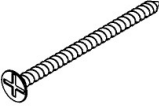

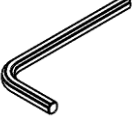

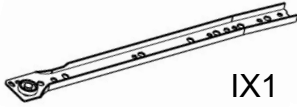
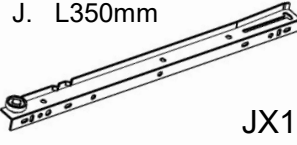
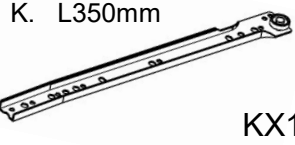
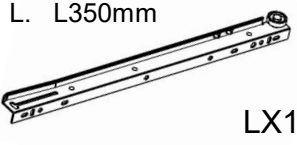

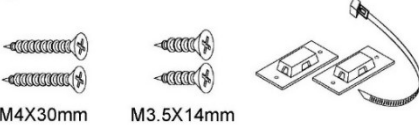


 <b>TIPPING WARNING</b> 	
	<p><b>Serious or fatal injuries may occur from furniture toppling over. To help avoid this please follow the below recommendations:</b></p> <ul style="list-style-type: none"><li>• Install the provided "Tipping Kit" as per the instructions</li><li>• Never allow children to climb on or hang off of any part of this product</li><li>• Unless specifically designed to accommodate, do not set TVs or other heavy objects on top of this product</li></ul> <p>If this product has drawers:</p> <ul style="list-style-type: none"><li>• Place the heaviest items in lowest drawers</li><li>• Do not open more than 1 drawer at a time as this may cause the product to become unbalanced</li><li>• Do not tamper with or remove any drawer interlocking/running system</li></ul> <p><b>Note: The use of the provided "Tipping Kit" may reduce but not necessarily eliminate the risk of furniture toppling over. Please use this product with caution.</b></p> <p><i>This is a permanent label. Do not attempt to remove!</i></p>

# PARTS LIST



1	Drawer Handle	7	Middle Board	13	Drawer Bottom Board
2	Support Bar	8	Back Board	14	Drawer Back Board
3	Top Board	9	Drawer Front Board	15	Frame
4	Side Board	10	Drawer Side Board	16	Frame
5	Side Board	11	Drawer Side Board		
6	Bottom Board	12	Drawer Support Bar		

<p>A. Ø15X12mm</p>  <p>AX18</p>	<p>B. M6X39mm</p>  <p>BX18</p>	<p>C. Ø8X40</p>  <p>CX16</p>	<p>D. M5X50</p>  <p>DX9</p>
<p>E. M4X40mm</p>  <p>EX5</p>	<p>F. M3.5X15</p>  <p>FX10</p>	<p>G.</p>  <p>GX1</p>	<p>H.</p>  <p>HX8</p>
<p>I. L350mm</p>  <p>IX1</p>	<p>J. L350mm</p>  <p>JX1</p>	<p>K. L350mm</p>  <p>KX1</p>	<p>L. L350mm</p>  <p>LX1</p>
<p>M. M6X15mm</p>  <p>MX12</p>	<p>N. WALL FIXING</p>  <p>M4X30mm      M3.5X14mm</p>		

## STEP:1

A. Ø15X12mm



AX5

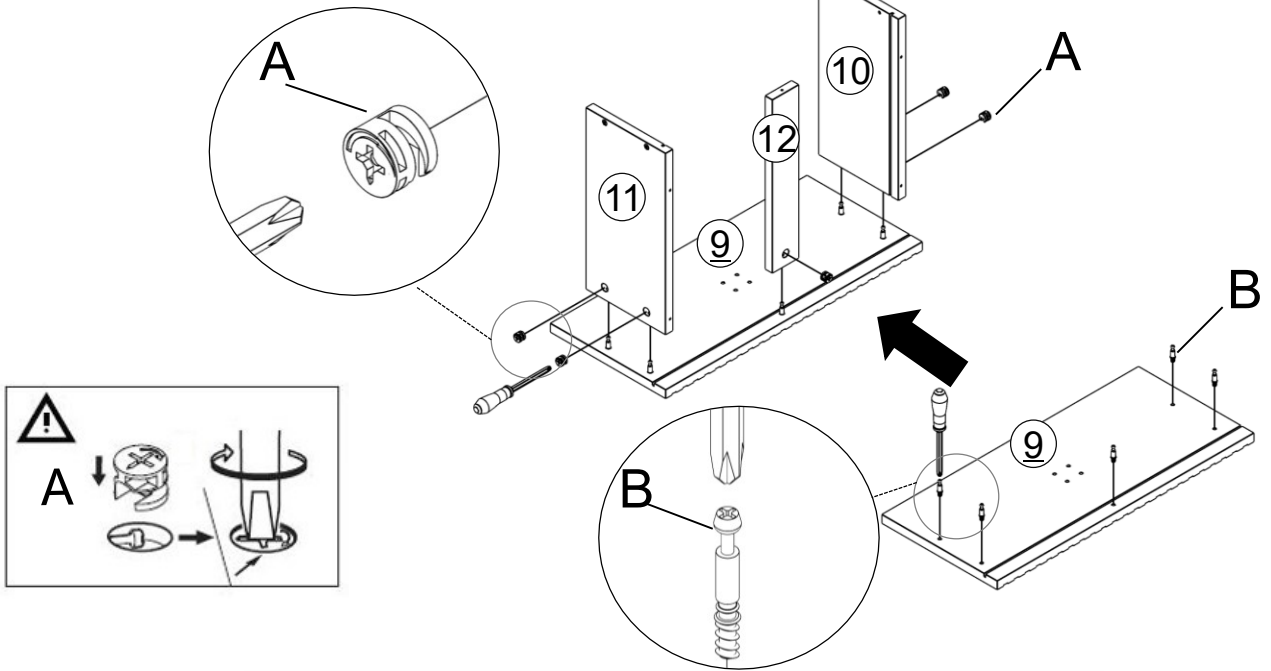
B. M6X39mm



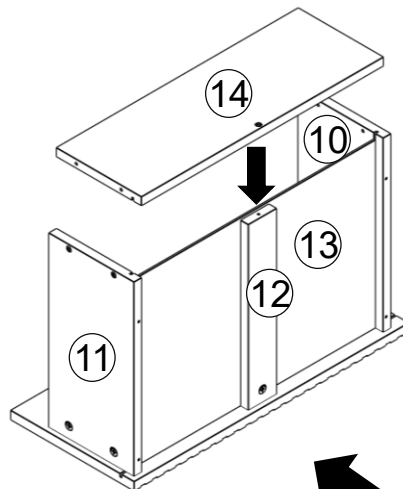
BX5

1. Fix cam pin (B) to drawer front board (9).

2. Attach drawer side board (10)(11) drawer support bar (12) to drawer front board (9) with cam locks (A)

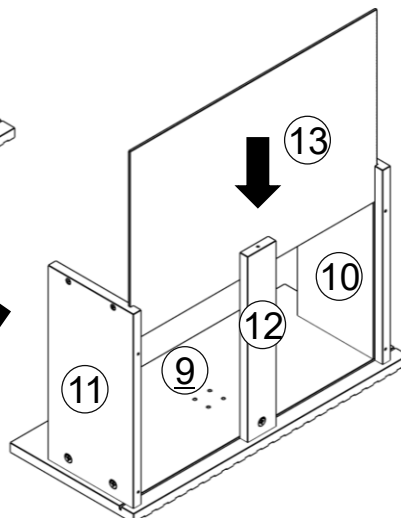


## STEP:2



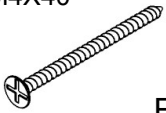
1. Put bottom board (13) into groove of board (9)(10)and (11).

2. Put the drawer back board (14) on the drawer.



# STEP:3

E. M4X40



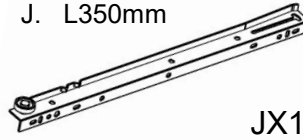
EX5

F. M3.5X15



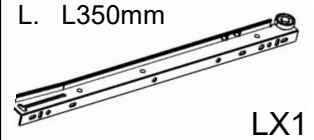
FX4

J. L350mm

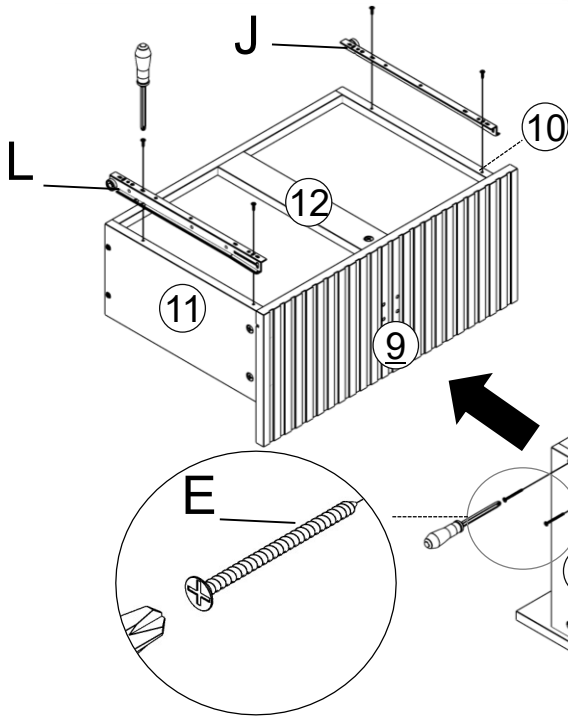


JX1

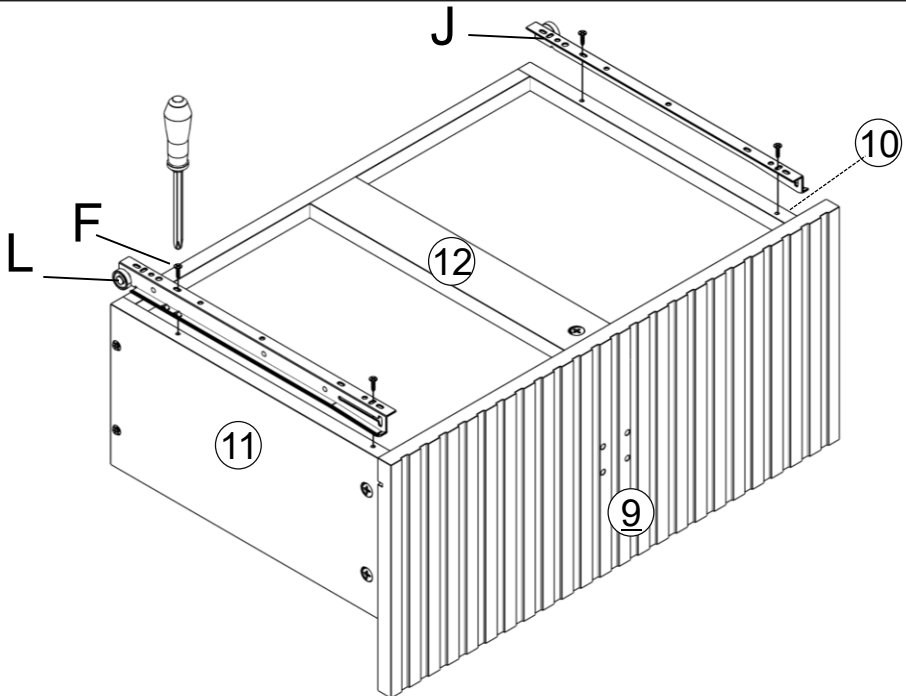
L. L350mm



LX1

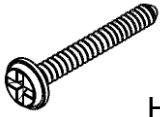


1. Attach the drawer back board (14) with screws (E)
2. Install runner(J)(L) to the bottom of drawer with screws(F).



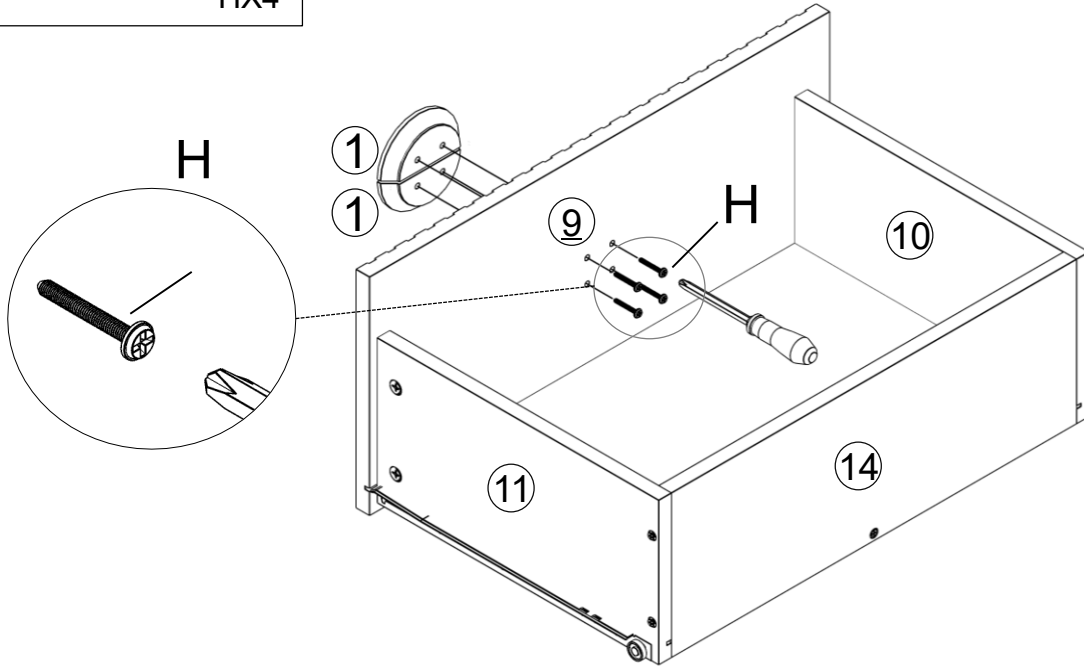
## STEP:4

H.



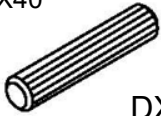
HX4

Fix handle (1) to the drawer front board (9) with screws (H)



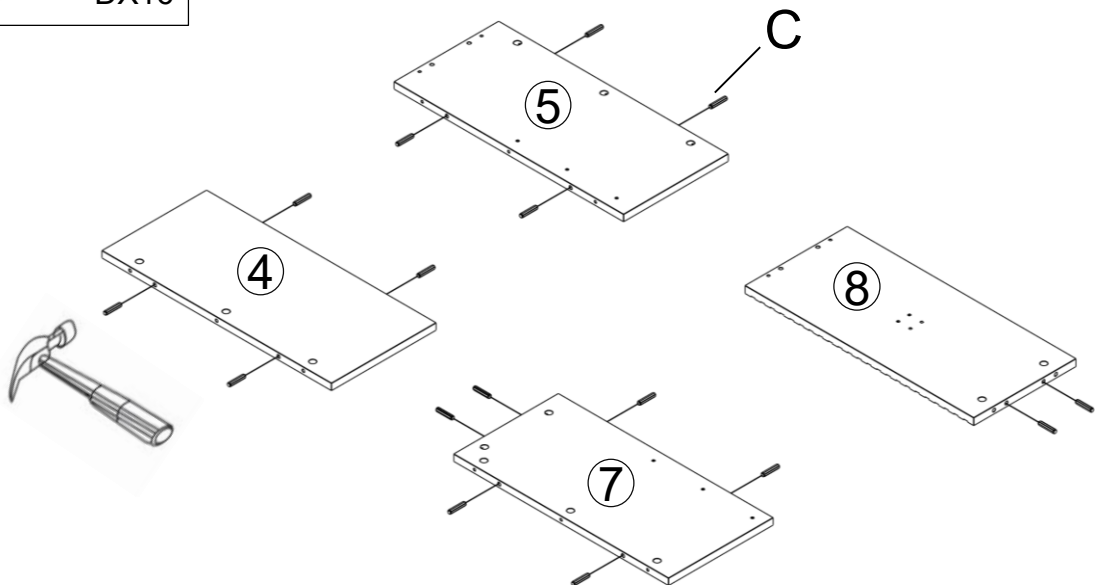
## STEP:5

C. Ø8X40



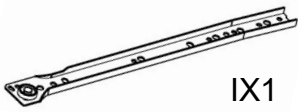
DX16

Insert dowel (C) to side board (4)(5) middle board (7) and back board (8)



## STEP:6

I. L350mm



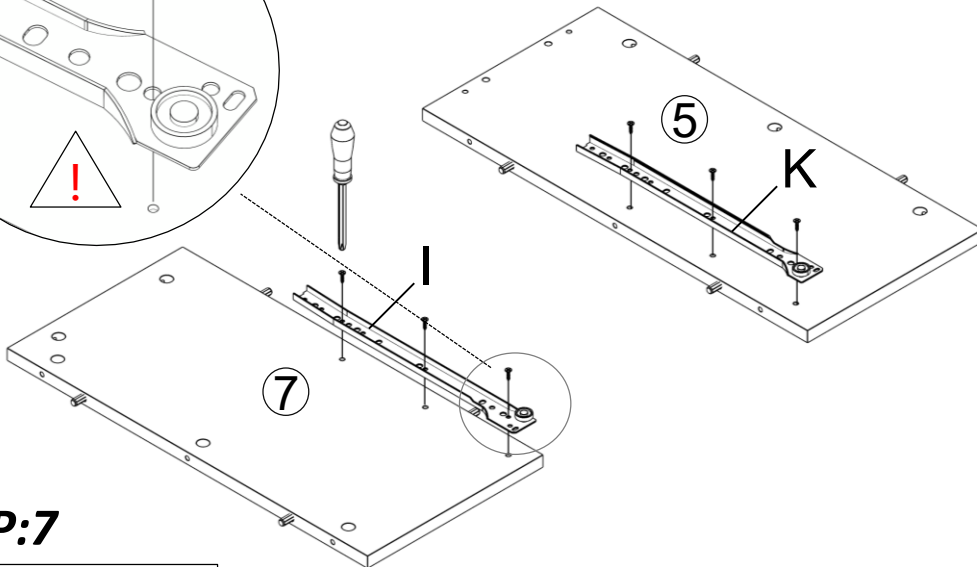
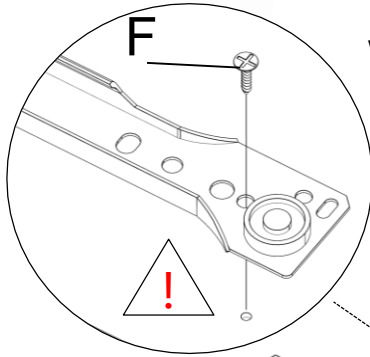
K. L350mm



F. M3.5X15

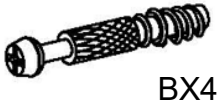


Install runner(I)(K) to the side board (5) and the middle board (7) with screws (F)

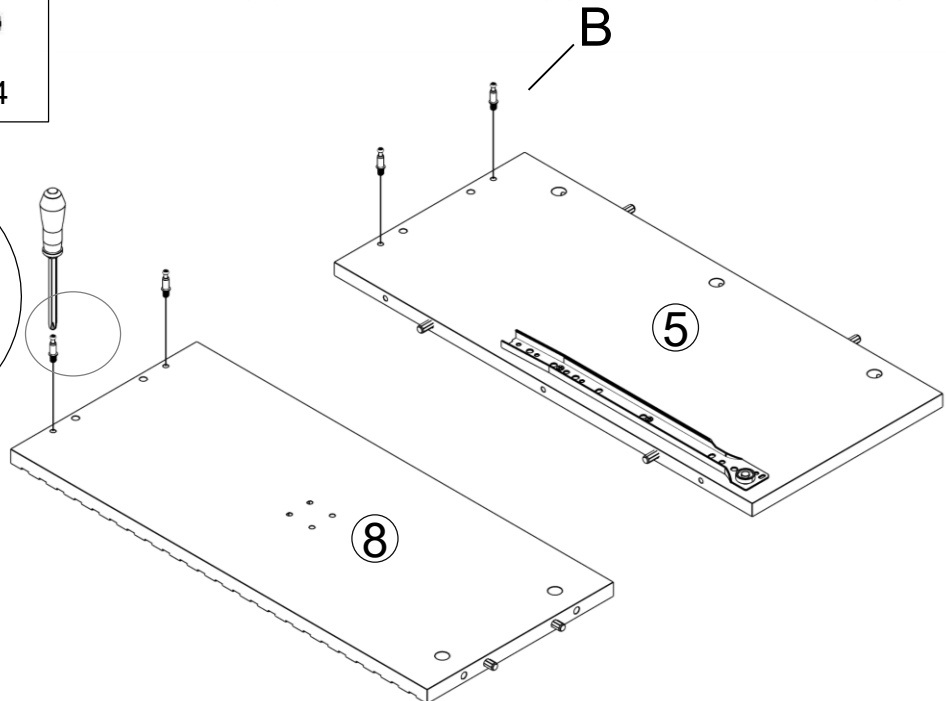
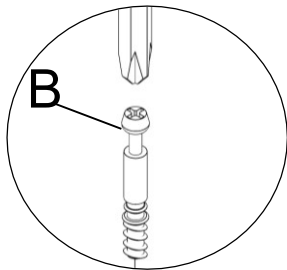


## STEP:7

B. M6X39mm



Fix cam pin (B) to the side board (5) and the back board (8)





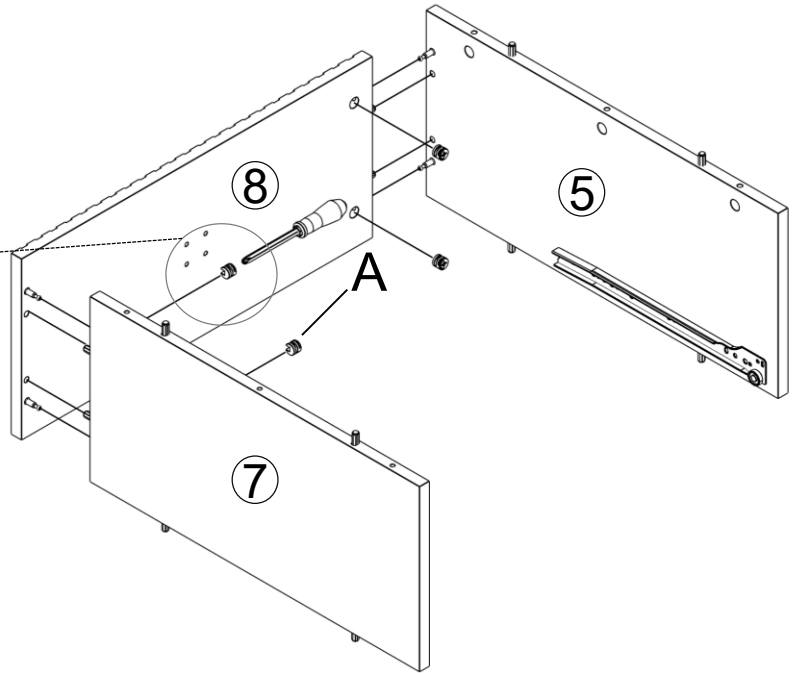
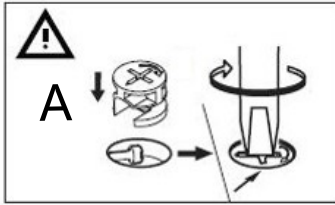
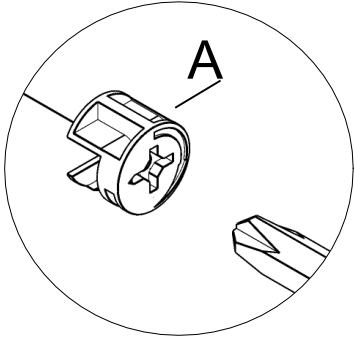
## STEP:8

A. Ø15X12mm



AX4

Attach the side board (5) and the middle board (7) to the back board (8) with cam locks (A).



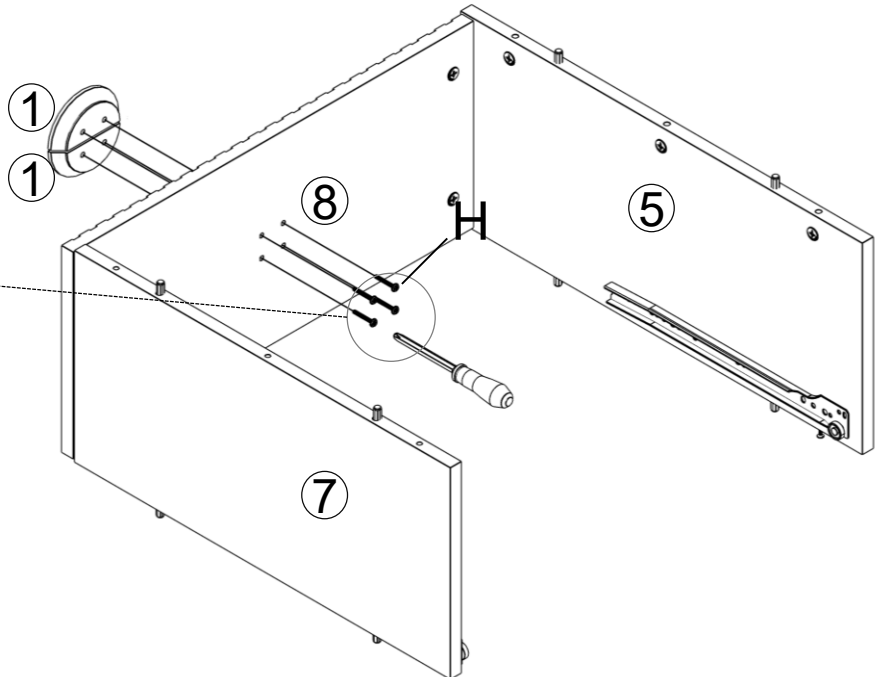
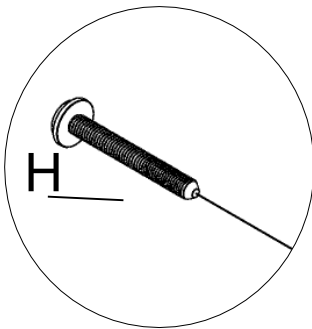
## STEP:9

H.



HX4

Fix handle (1) to back board (8) with screws (H)

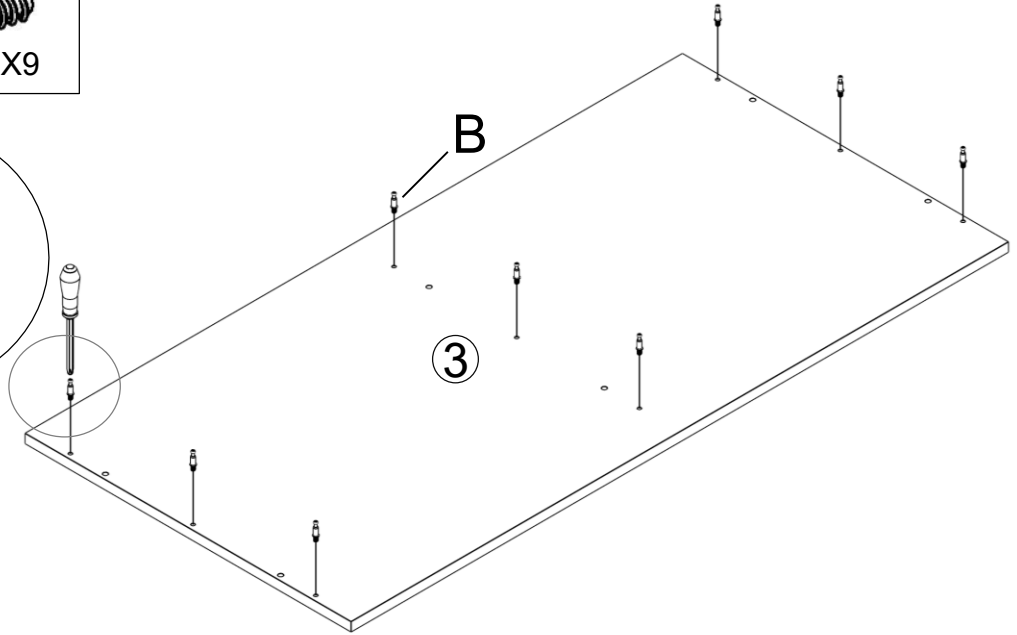
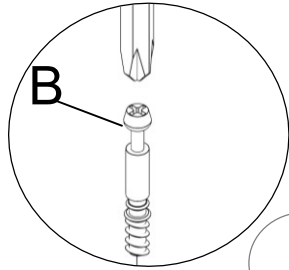


## STEP:10

B. M6X39mm



Fix cam pin (B) to the top board (3)

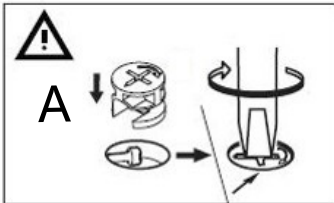
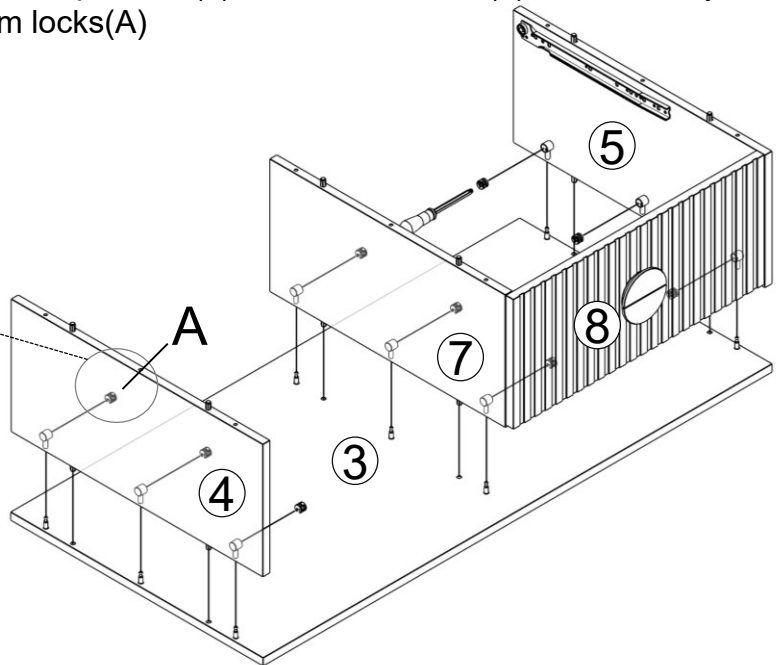
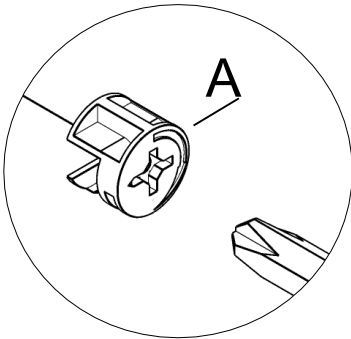


## STEP:11

A. Ø15X12mm

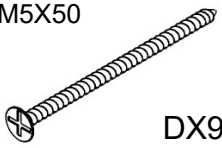


Attach the top board (3) to the side board (4) and the body with cam locks(A)

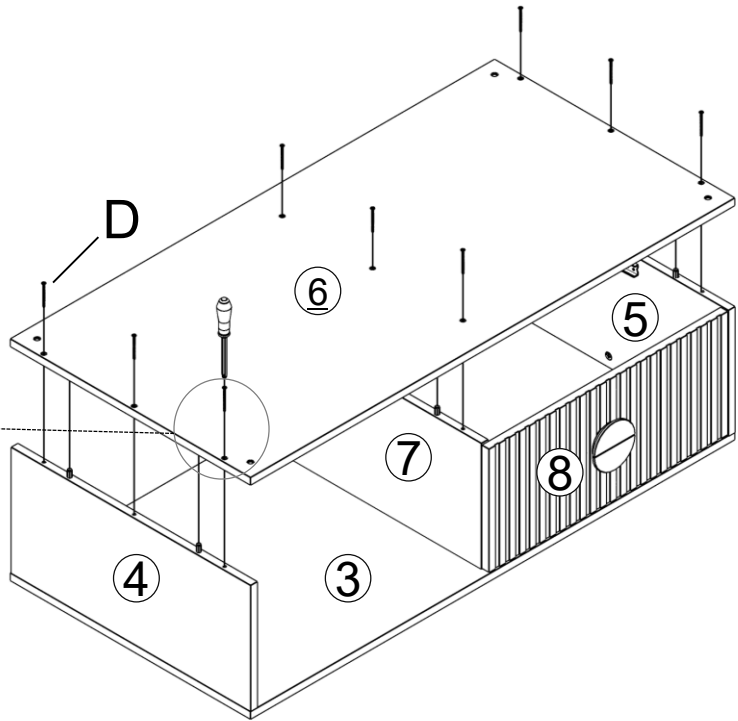
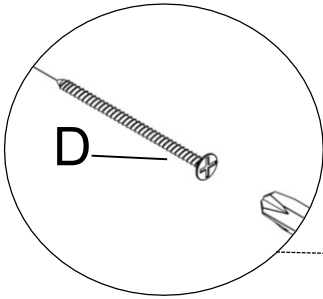


## STEP:12

D. M5X50



Attach the bottom board (6) to the body with the screws (D)

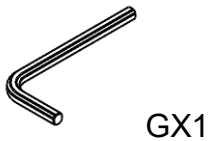


## STEP:13

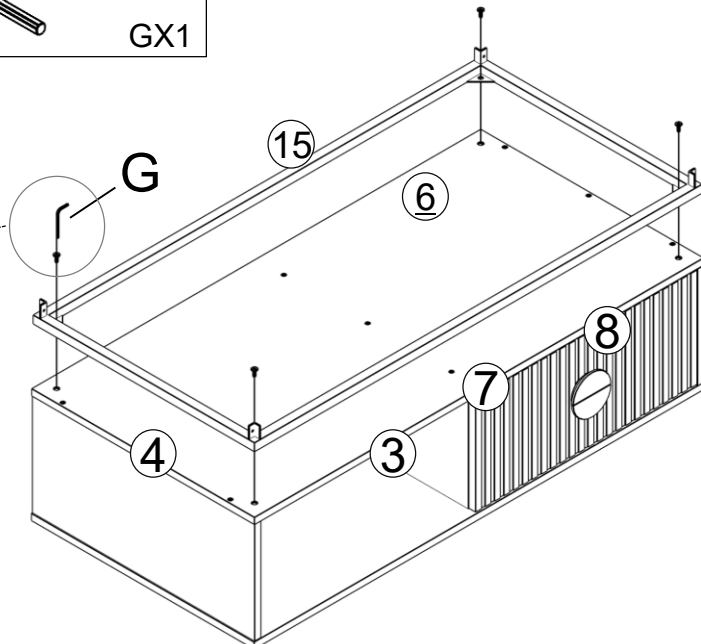
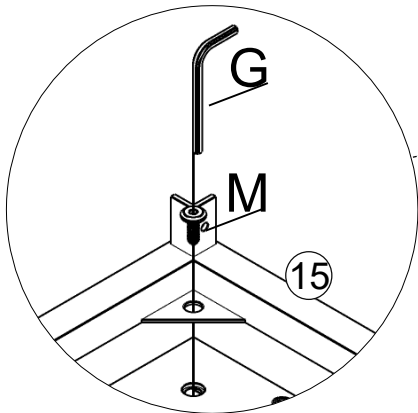
M. M6X15mm



G.

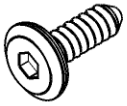


Attach frame (15) to the bottom board (6) with bolt (M)



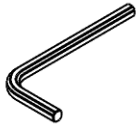
## STEP:14

M. M6X15mm



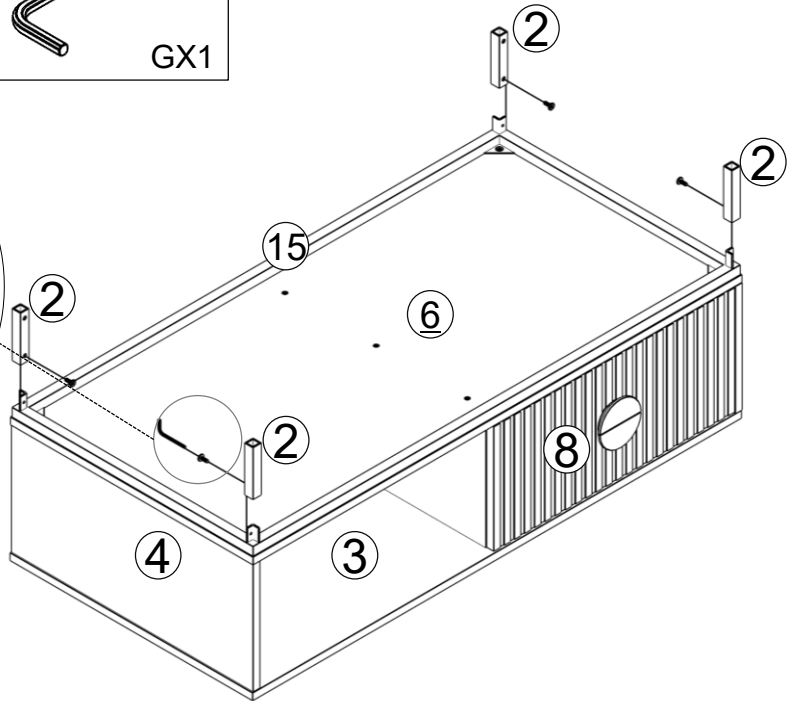
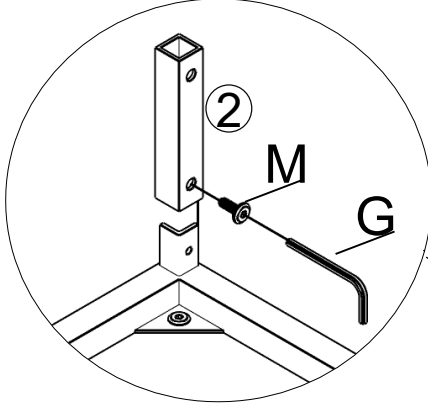
MX4

G.



GX1

Fix support bar (2) to frame (15) with bolt (M)



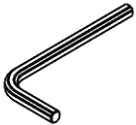
## STEP:15

M. M6X15mm



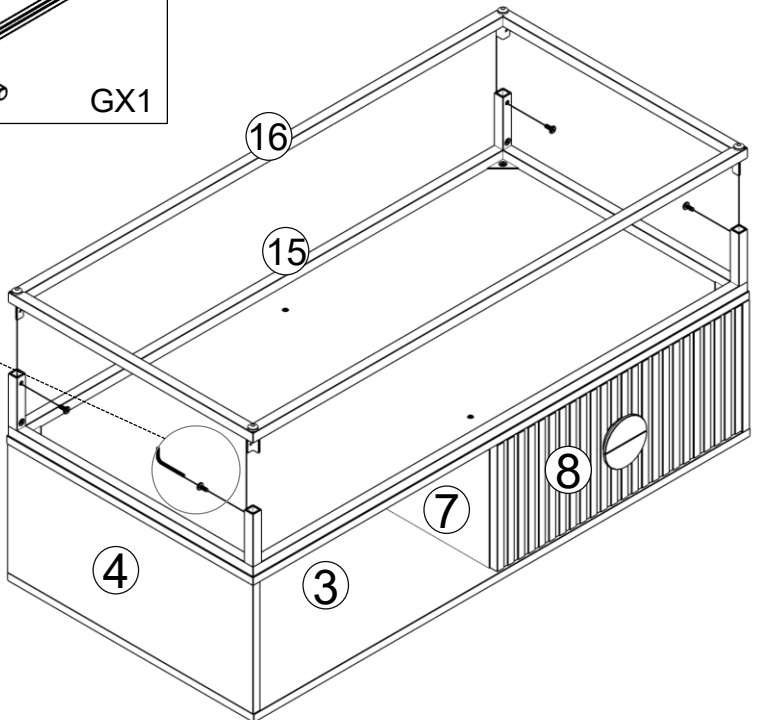
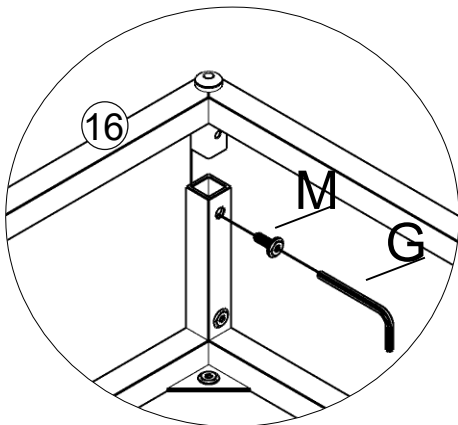
MX4

G.

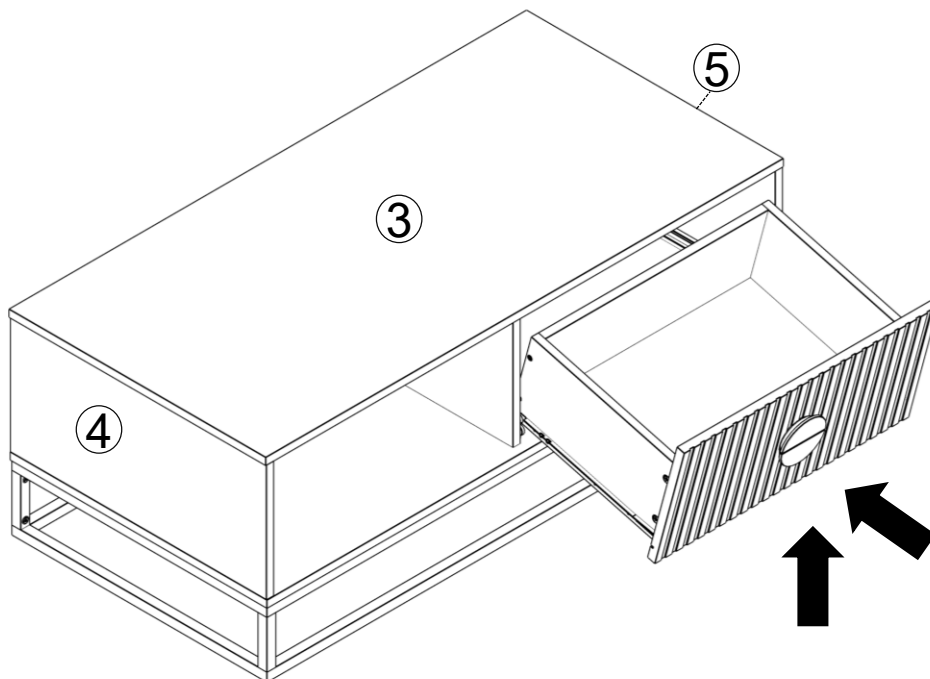


GX1

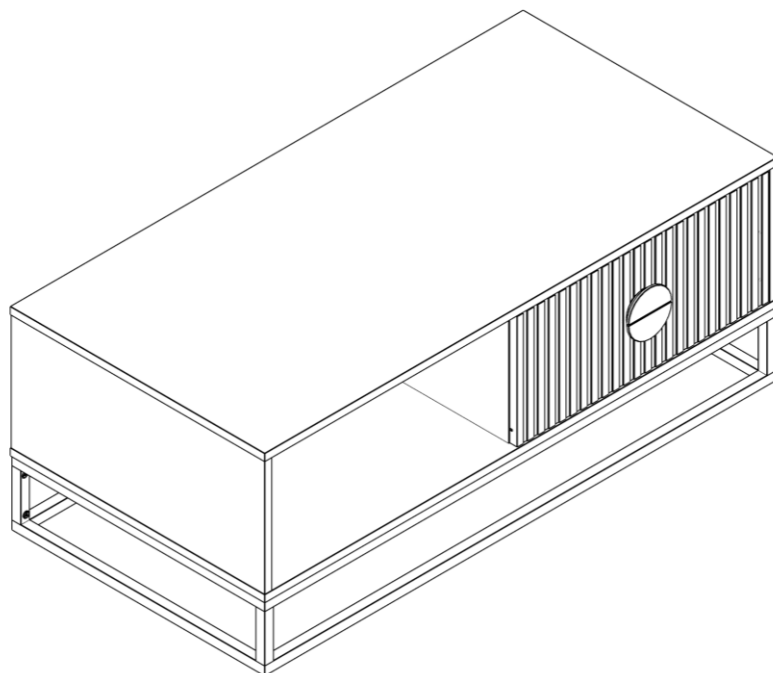
Attach frame (16) to the body with bolt (M)



## STEP:16



ASSEMBLY COMPLETE



# SAFETY BRACKETS INSTRUCTIONS

1. Attach one Mounting Plate to the wall with the Large Screws. Make sure to attach the Mounting Plate into a stud. If mounting into brick or masonry you will need to acquire wall anchors.
2. Attach the second Mounting Plate to the furniture frame with the Short Screws.
3. Move the furniture to its final position. Thread a Wall Strap through the both Mounting Plates and tighten until snug. Do not over tighten.
4. Make sure that the Mounting Plates are firmly attached to the wall and furniture and that the Wall Strap is snug.

## HARDWARE



Mounting Plate x 2



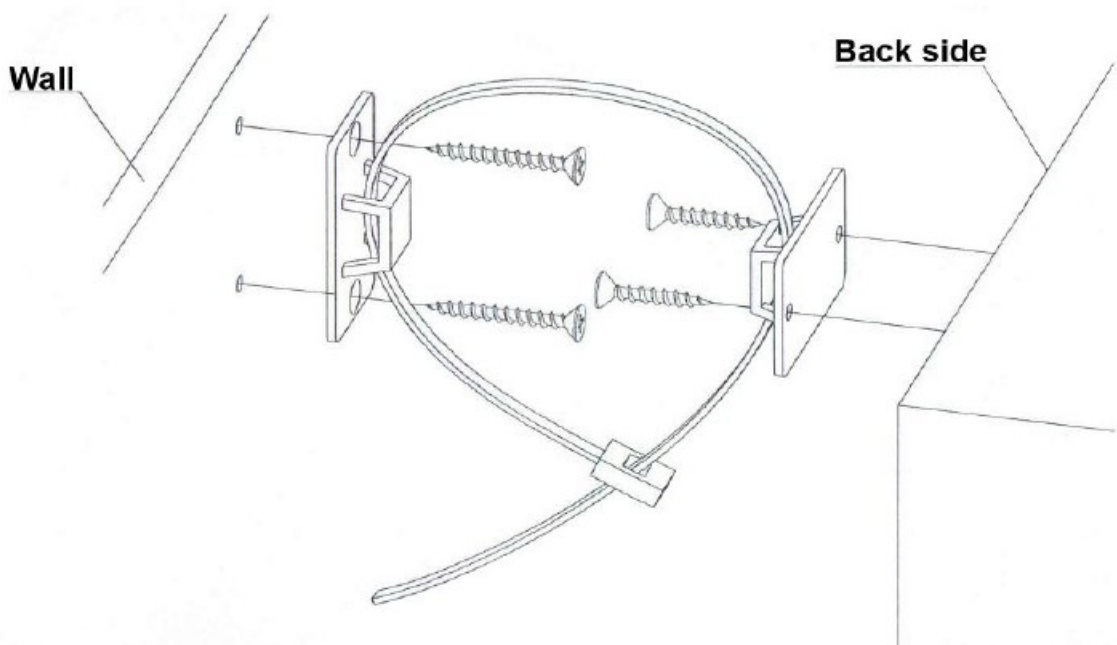
Wall Strap x 1



Large Screw x2



Small Screw x2



To protect your furniture, we suggest the following:

- Avoid placing your furniture in direct sunlight.
- Do not place furniture directly under windows.
- Do not place sharp materials (knife, fork, etc.) directly onto your furniture as sharp material may scrape and damage the finish.
- Do not place material with high temperature directly onto the surface of your furniture.
- Clean up spills quickly. Water left over a prolonged period of time may cause damage. Alcohol, perfume, nail polishes, aftershave and some medication may cause severe finish damage if not cleaned immediately.
- Use a clean, soft, dry, lint free absorbent cloth to clean your furniture. Do not use any detergent as they may contain ingredients that may react and damage the finish.

